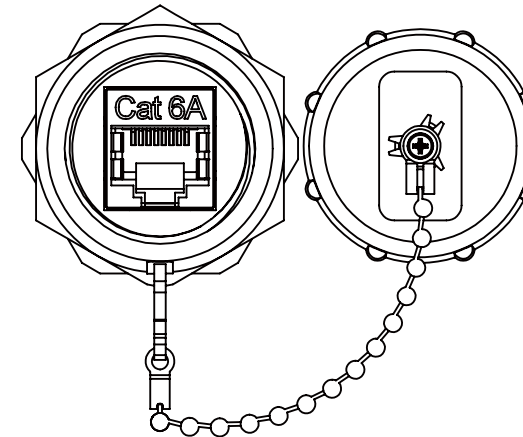
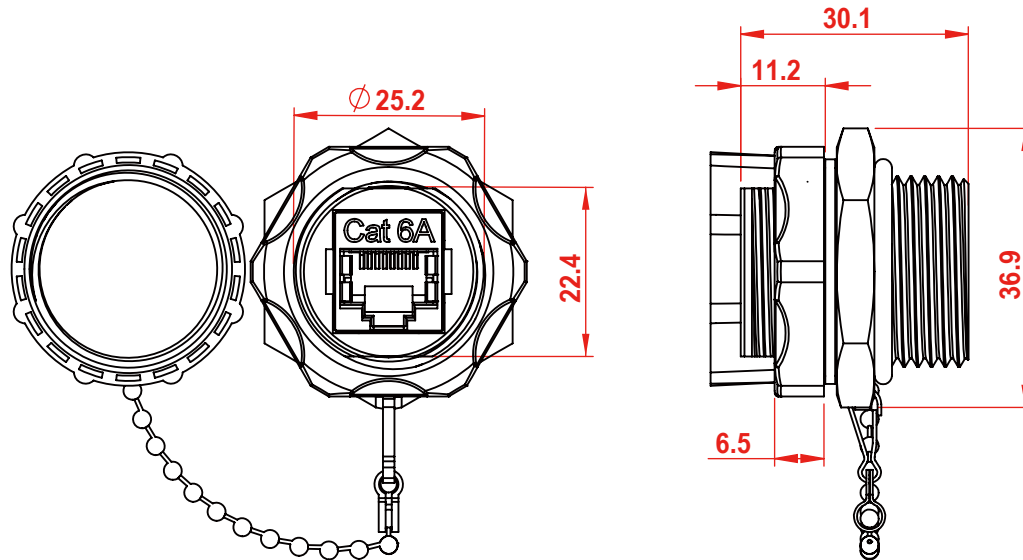


NOTE: ALL MATERIAL COMPLIANT ROHS STANDARD

| REVISION INFORMATION |            |             |                   |
|----------------------|------------|-------------|-------------------|
| Rev.                 | Rev. Date  | Modified By | Brief Description |
| V0                   | 03/21/2022 | Justin      | Initial issue     |



**MATERIAL**

MAIN BODY : PBT+GF,UL94V-0.  
 SHIELDED CASE : BRASS,NICKEL PLATED.  
 COUPLER HOUSING : ABS,UL94V-0.  
 JACK CONTACTS : PHOSPHOR BRONZE,50U" GOLD PLATED.

**PHYSICAL CHARACTERISTICS**

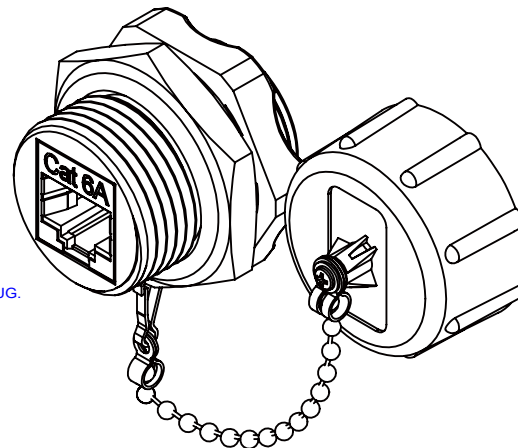
INSERTION LIFE : 750 MATING CYCLES WITH FCC COMPLIANT 8P PLUG.  
 PLUG RETENTION FORCE : 11 LBF MIN.  
 OPERATING TEMPERATURE RANGE : -10°C TO 60°C.  
 STORAGE TEMPERATURE RANGE : -40°C TO 68°C.  
 HUMIDITY : 10% TO 90% RH (NON-CONDENSING).

**ELECTRICAL**

INSULATION RESISTANCE : 500 MΩ MINIMUM.  
 DC CURRENT RATING : 1.5 Amps.  
 INPUT TO OUTPUT D.C. RESISTANCE : 200 mΩ MAXIMUM.  
 CONTACT RESISTANCE : 20 mΩ MAXIMUM.  
 VOLTAGE PROOF (CONTACT TO CONTACT) : 1000 V D.C. OR A.C. PEAK.

**NOTE**

ONLY ACCEPT RJ-45 8P8C PLUG.



**IP68**

ACCORDING TO IEC 60529

Degrees of Protection Provided by Enclosures

6: Dust-tight

8: Protected from immersion in water for 60 minutes at a depth of 1.5 meter.



**Cat 6A**

56Y4  
E145249



ACCORDING TO : ANSI/TIA-568.2-D  
 ISO/IEC 11801-1  
 IEC 60603-7

IEEE 802.3bt Power over Ethernet Plus Plus(4PPoE) application  
 IEC 60512-99-002 Mating and un-mating connectors under electrical load



| NO. | PART NAME | SPECIFICATION DESCRIPTION | QT'Y | UNIT |
|-----|-----------|---------------------------|------|------|
| ③   |           |                           |      |      |
| ②   |           |                           |      |      |
| ①   |           |                           |      |      |

Unless specified on the drawing, tolerances are per the follows:  
 . +1  
 .x +0.2  
 .xx +0.05

|                        |                     |                                                                                           |
|------------------------|---------------------|-------------------------------------------------------------------------------------------|
| DRAWN BY <b>Justin</b> | DATE:<br>03/21/2022 | DESCRIPTION:<br>Cat.6A RJ45 Shielded Industrial Panelmount Bulkhead Coupler with Dust Cap |
| CHECKED BY             | SHEET 1 of 4        | ITEM NO. 102055                                                                           |
| APPROVED BY            | SCALE 1 : 1         | REV. 00 UNIT:mm                                                                           |